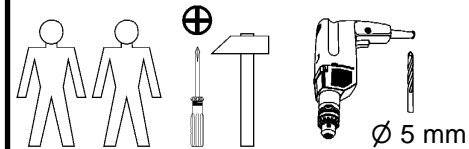
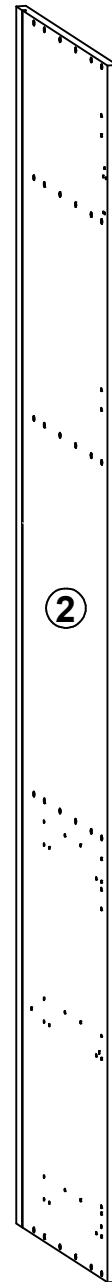
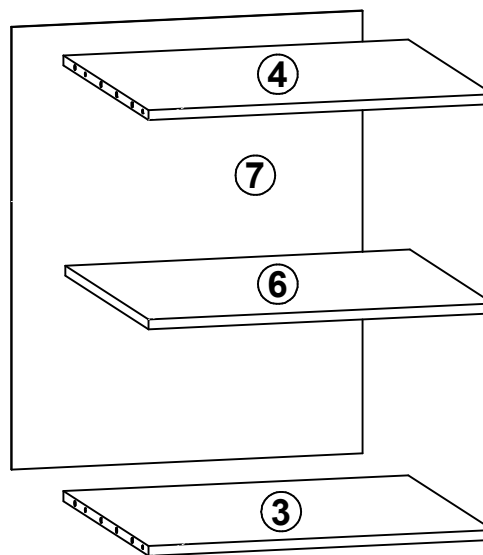
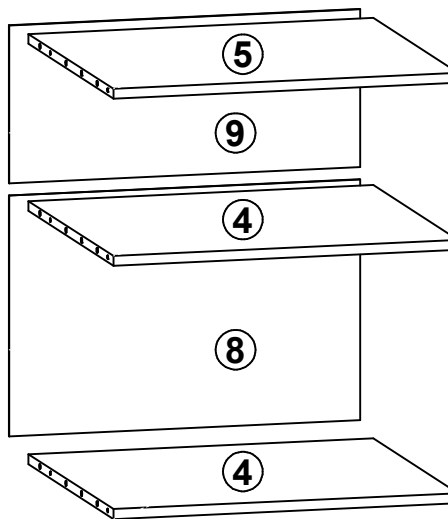
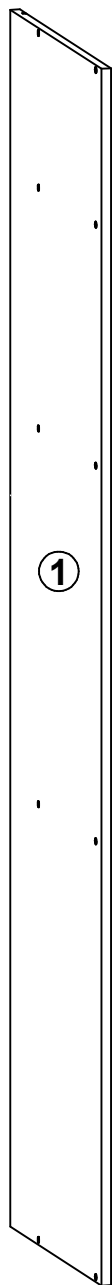
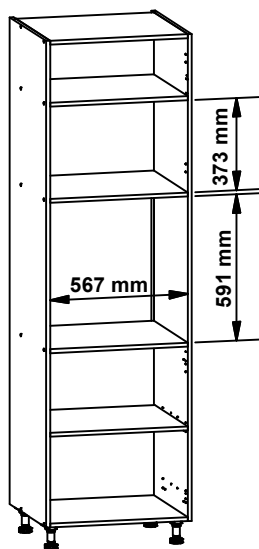
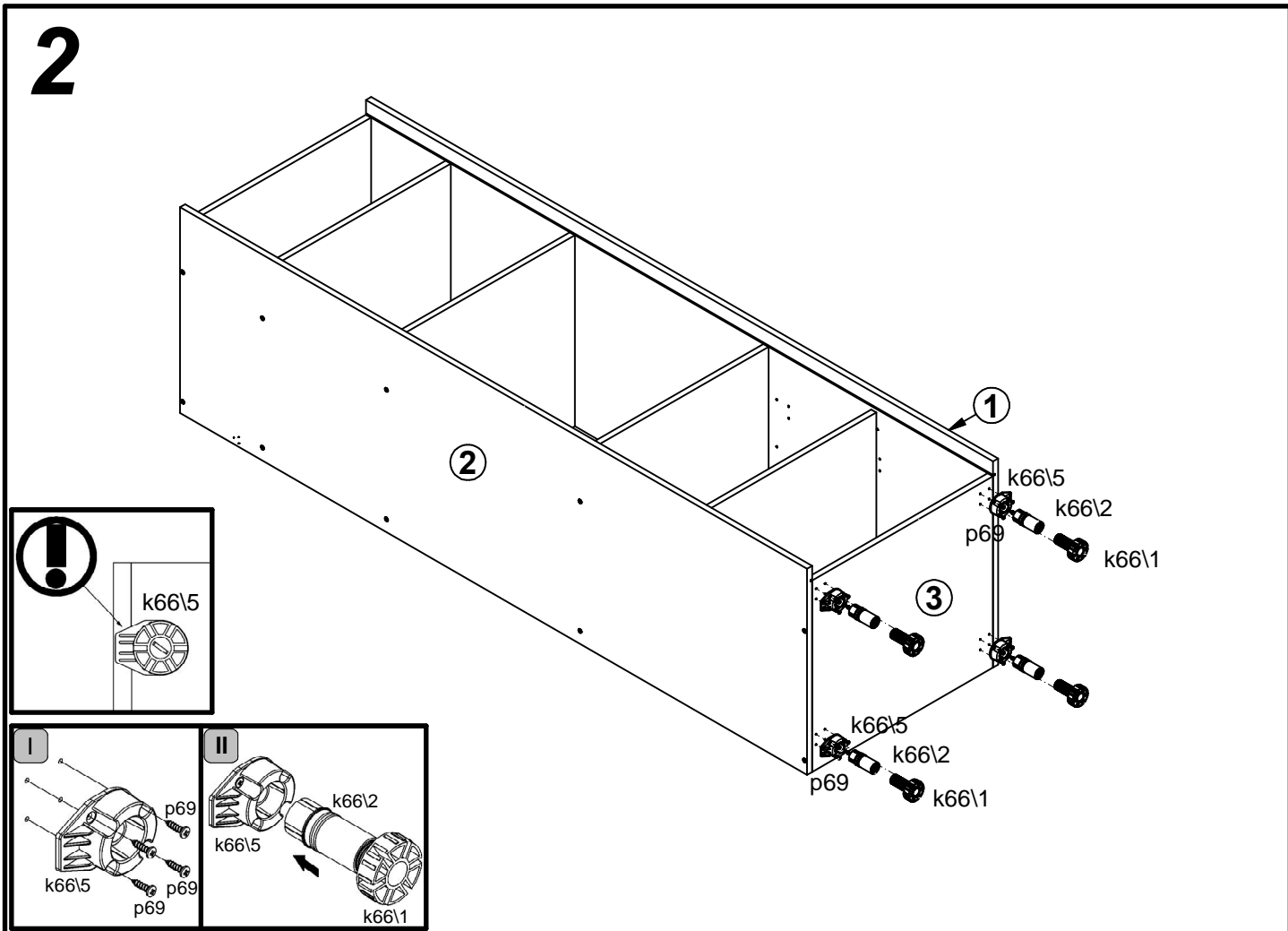
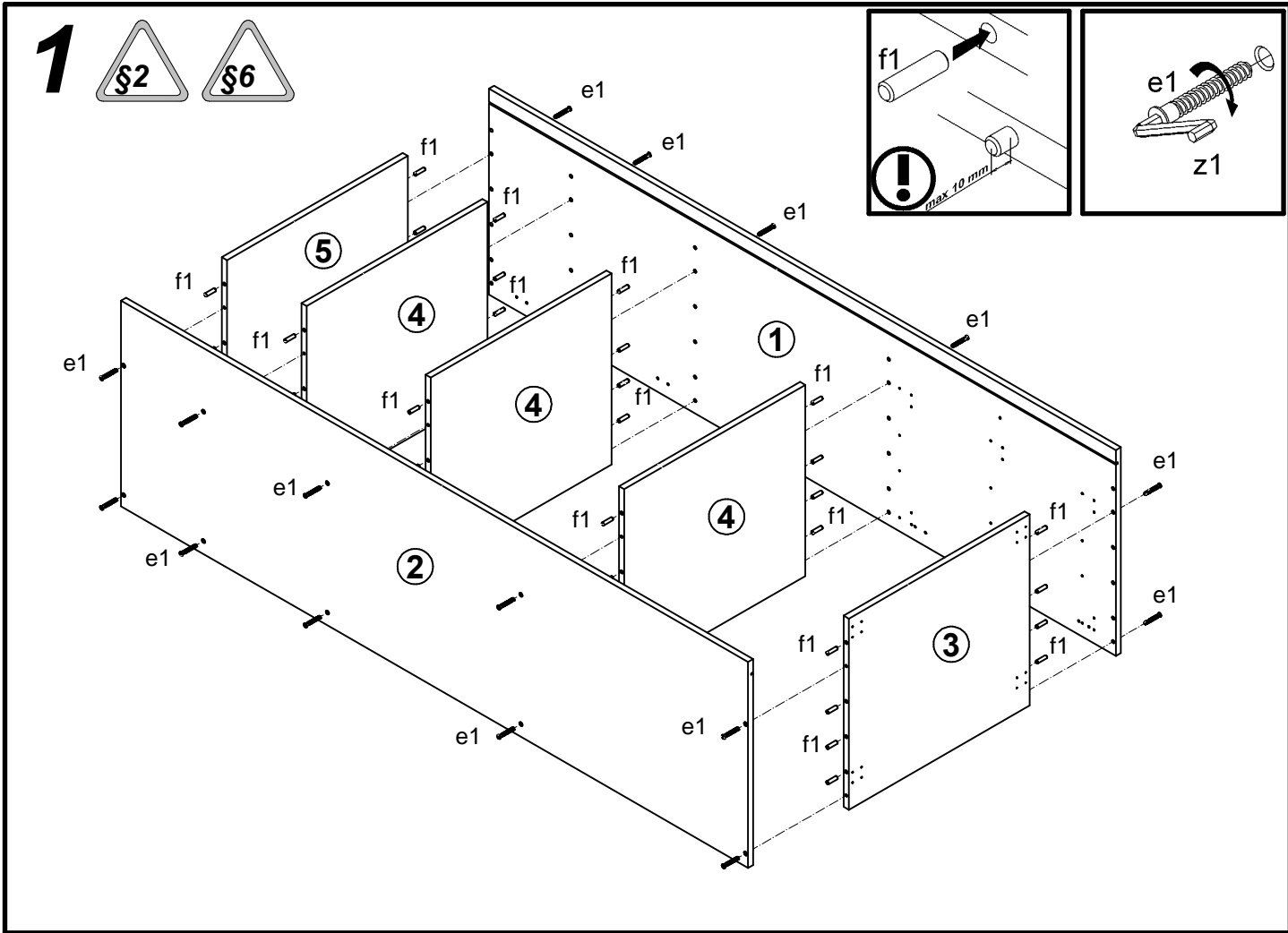


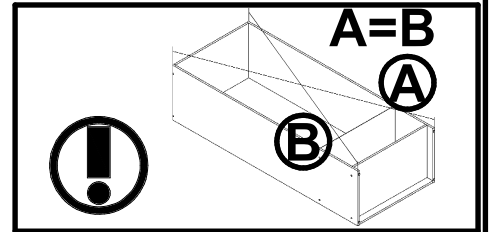
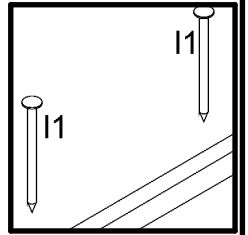
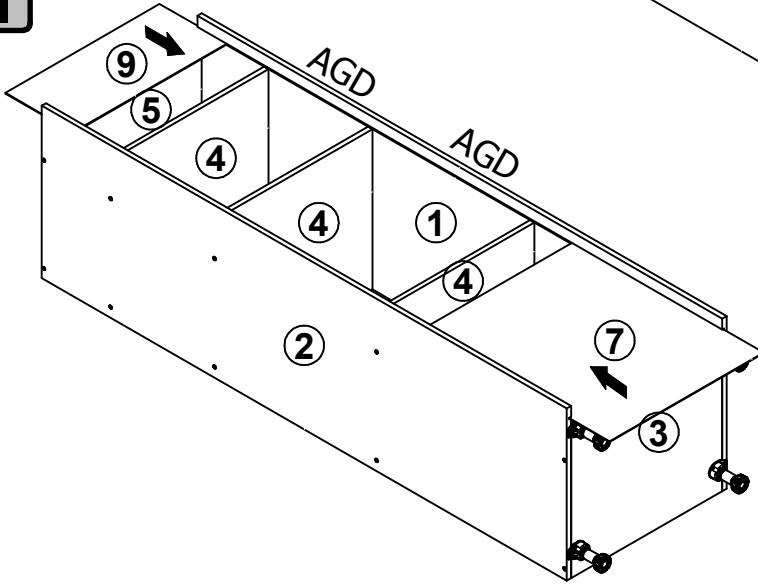
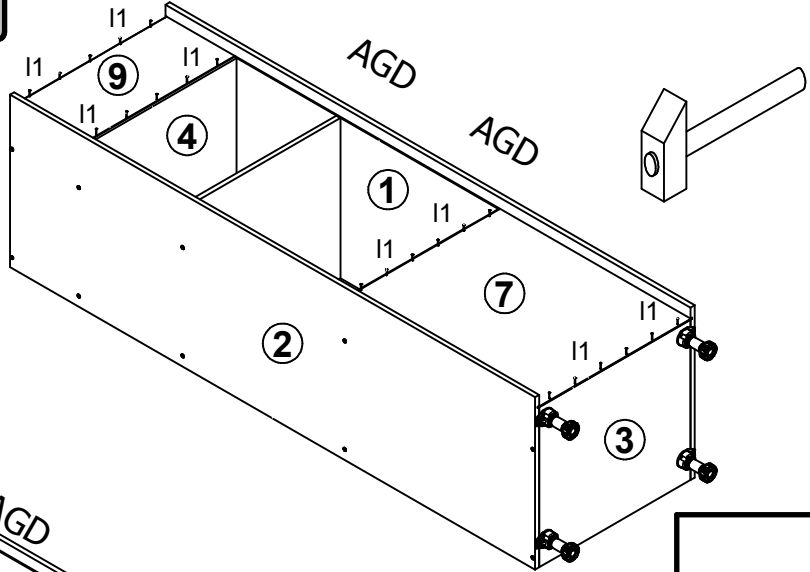
A	B	C	D
1	K10-109/A	1966	560 1/5
2	K10-110/A	1966	560 1/5
3	K10-1327	567	520 2/5
4	K10-310	567	520 2/5
5	K10-313	567	520 2/5
6	K10-348	567	510 2/5
7	K10-959	715	577 1/5
8	K10-965	389	577 1/5
9	K10-966	255	577 1/5



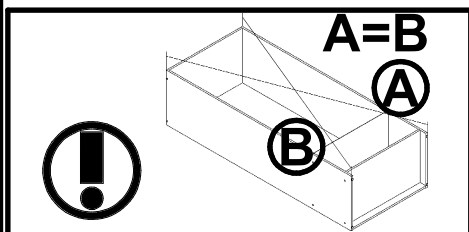
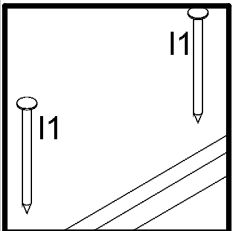
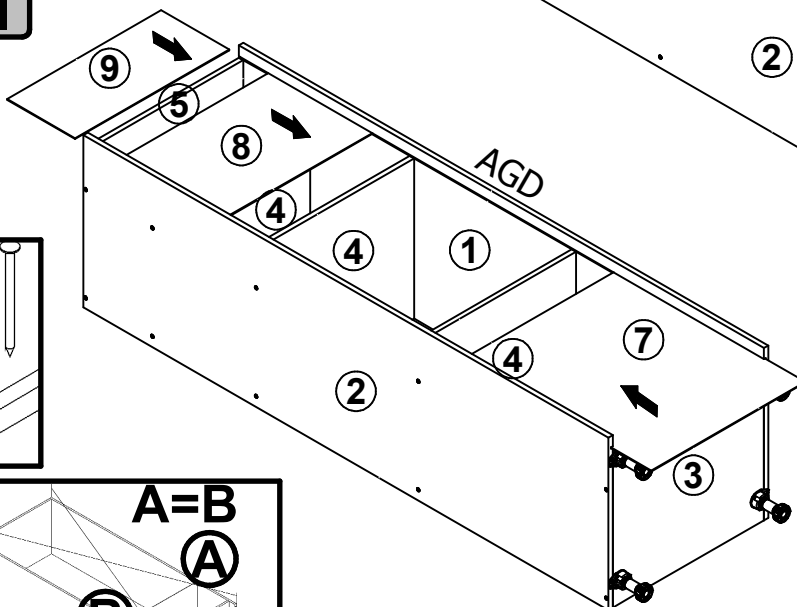
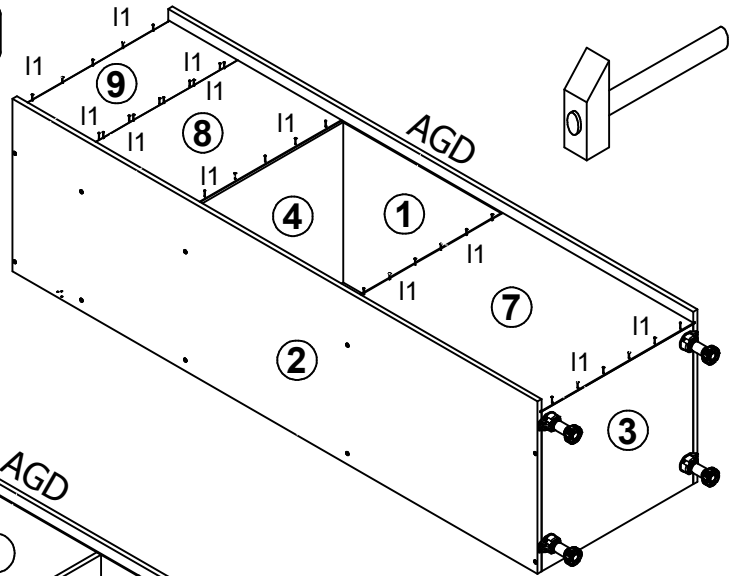
4x a83	4x b32	4x Ø5x17 mm d1	20x Ø7x50 mm e1	40x Ø8x30 mm f1	2x Ø10x50 mm f35	4x k6611	4x k6612	2x k6614
4x k6615	40x l1	2x 81x21x15/1.5 n14	2x Ø5x60 mm p17	4x Ø4x13 mm p28	4x Ø3.5x16 mm p38	8x Ø3.5x15 mm p51	16x Ø4x16 mm p69	4x M4x12 mm j4511
2x j4512	8x s1	1x z1						



3A



3B



4 §17

