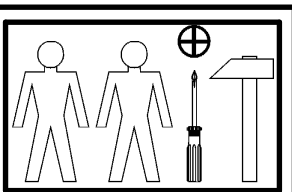
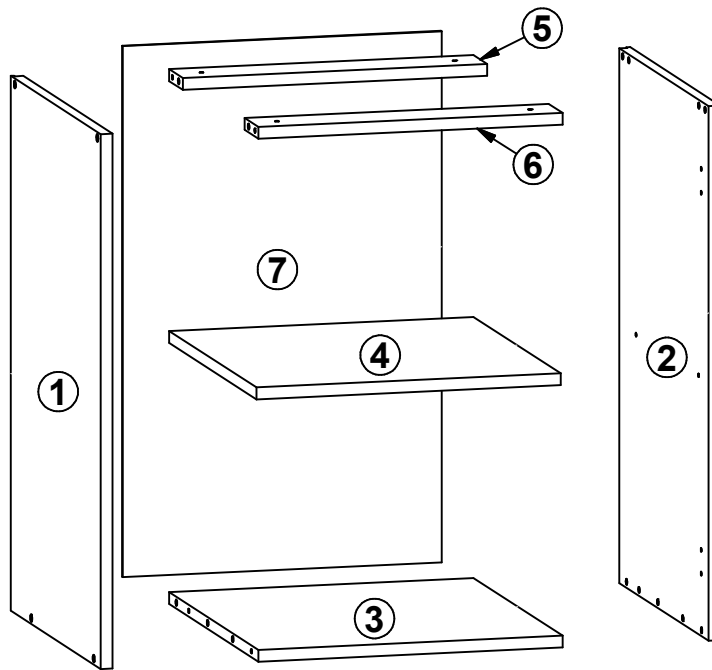
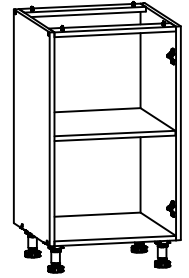


# FAMILY LINE

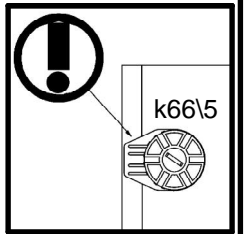
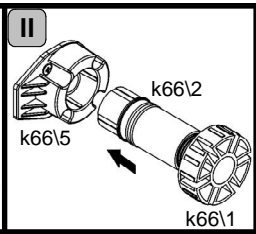
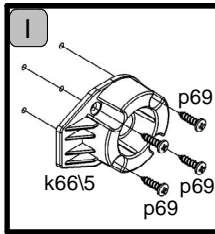
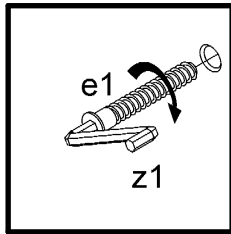
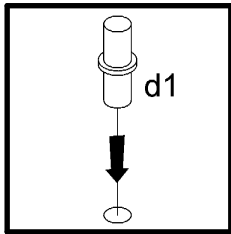
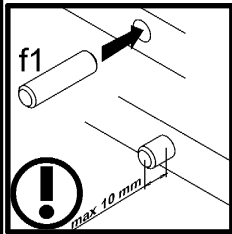
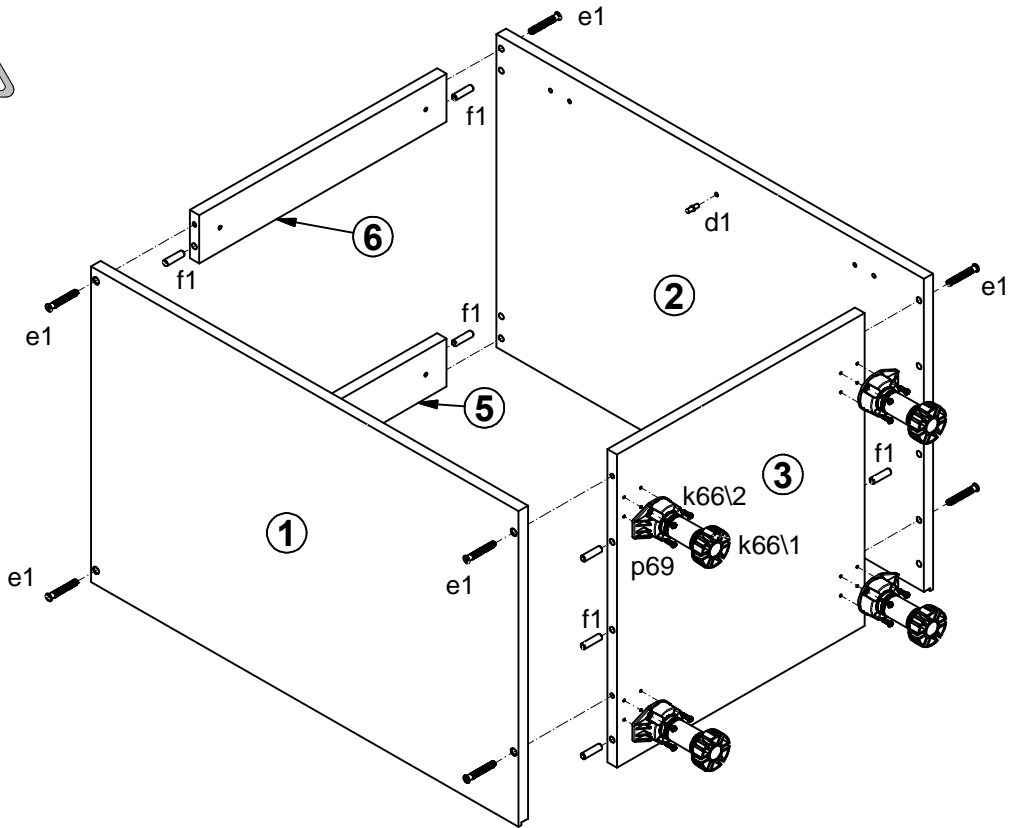
# K10-D-45/82

| A | B       | C   | D   |
|---|---------|-----|-----|
| 1 | K10-103 | 720 | 460 |
| 2 | K10-104 | 720 | 460 |
| 3 | K10-357 | 417 | 456 |
| 4 | K10-358 | 417 | 446 |
| 5 | K10-434 | 417 | 70  |
| 6 | K10-435 | 417 | 70  |
| 7 | K10-933 | 715 | 437 |

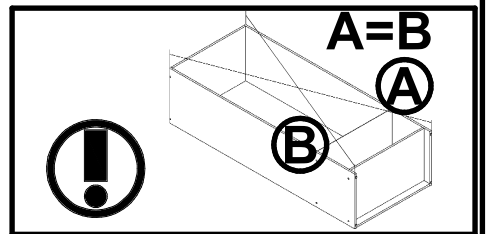
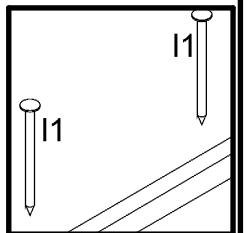
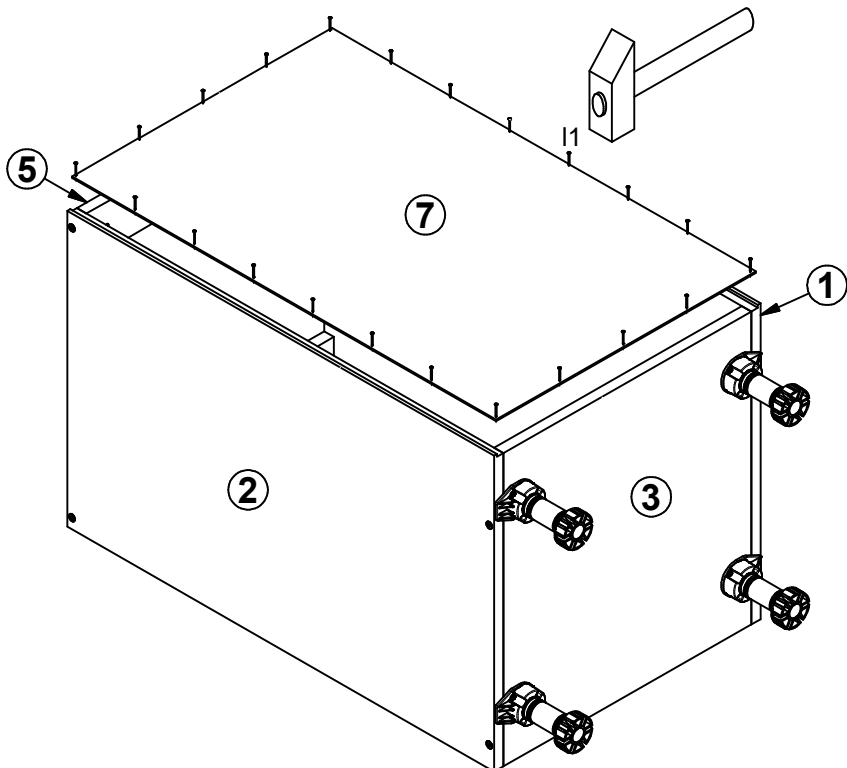


|                 |                 |                          |                          |                            |                           |                             |                            |                 |
|-----------------|-----------------|--------------------------|--------------------------|----------------------------|---------------------------|-----------------------------|----------------------------|-----------------|
| 2x<br><br>a83   | 2x<br><br>b32   | 4x<br><br>φ8x17 mm<br>d1 | 8x<br><br>φ7x50 mm<br>e1 | 4x<br><br>φ6,3x13 mm<br>e2 | 10x<br><br>φ8x30 mm<br>f1 | 4x<br><br>M4x12 mm<br>j45\1 | 2x<br><br>j45\2            | 2x<br><br>k66\4 |
| 4x<br><br>k66\1 | 4x<br><br>k66\2 | 4x<br><br>k66\5          | 25x<br><br>l1            | 4x<br><br>φ4x30 mm<br>p21  | 4x<br><br>φ4x13 mm<br>p28 | 4x<br><br>φ3,5x15 mm<br>p51 | 16x<br><br>φ4x16 mm<br>p69 | 8x<br><br>s1    |
| 1x<br><br>z1    |                 |                          |                          |                            |                           |                             |                            |                 |

# 2



# 3



4

